



Brochure Piston Valves

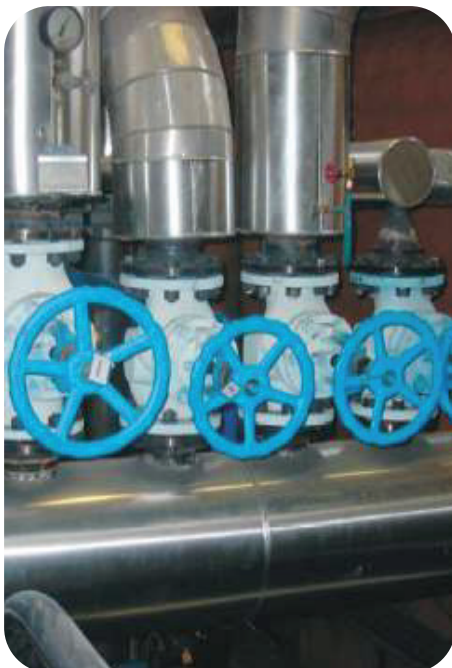
2018

YAKACIK VALF has many years of experience regarding elastic sealing systems, and has designed their piston valves after long term research. Lots of piston valves were used and are still in use after many decades and all around the world. The main application areas are vapor, steam, water, heat transfer oils, high temperature hot water, thermal oil, chemical industry using corrosive fluids and food industry. YAKACIK came up with the idea of replacing the usual seat and plug with elastic sealing rings and cylindrical pistons in globe valves. The aim is to ensure customer satisfaction by manufacturing valves which meet all expectations based on international standards and legal regulations.

Application examples



Piston valves can be used to control the flow of almost any kind of fluid, and are especially suitable for steam. The following valve body materials are available: cast iron, ductile iron, cast steel or stainless steel, all of them with the appropriate sealing rings.

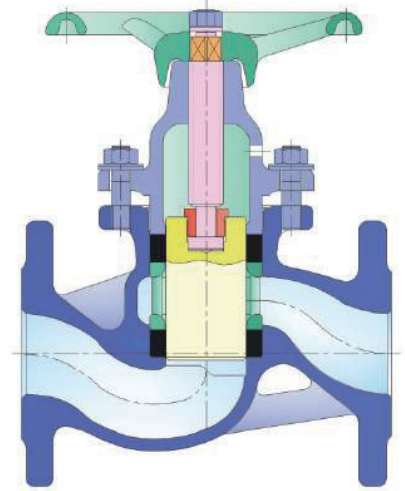


Piston Valves have two important components: the finely machined cylindrical piston in stainless steel and the elastic valve rings. Suitable ring materials are available for almost all types of fluids. The elastic upper and lower rings seal the piston with the required tightness. The seal is adjusted by tightening the bonnet nuts. the pressure is transmitted to the upper and lower ring through a lantern bushing. The axial thrust is converted to radial pressure by compressing the elastic rings. The compressed rings enable an outstanding leak tightness. The lower ring is leakproof across the ports, the upper ring is leakproof to the atmosphere. At fully open or fully closed position, there is no contact between the cylindrical piston surface and the fluid. This eliminates abrasion.

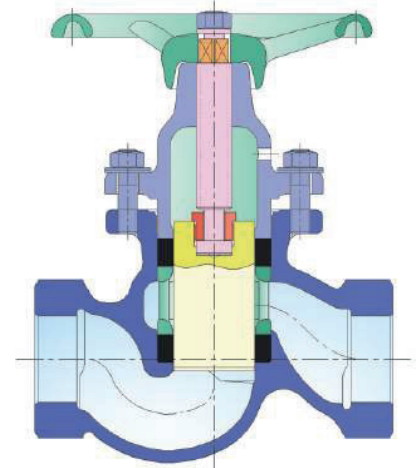
Advantages

- Asbestos free
- Energy efficient
- Maintenance free
- Exceptional tightness across the ports and to atmosphere
- Abrasionproof sealing surface
- Valve rings are replaceable in the pipeline
- Excellent control characteristics
- Fire safe is tested according to ISO 10497 / API 607
- TUV certified
- Suitable for oxygen line
- Economic, easy to service
- Compliant with German TA Luft and USA EPA

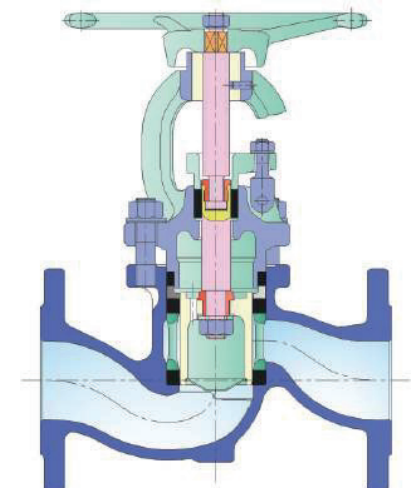
YVN DN15 ~ DN50



**YVMN 1/4" ~ 2"
YVSN 1/4" ~ 2"**



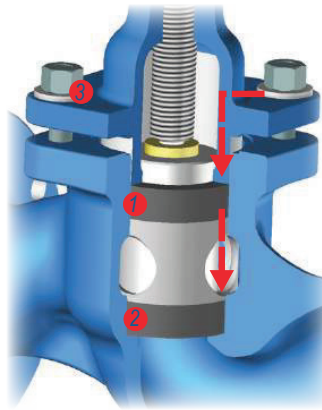
YVNB DN65 ~ DN200



Subject to changes

Sealing system

- The sealing system in the piston valve consists of a stainless steel piston and a couple of special elastic rings which surround the piston tightly.
- The sealing surface is the side surface of the piston. The upper ring provides sealing to atmosphere, the lower ring provides tightness in the line.
- Leakproofing is done by tightening the bonnet to increase pressure on the upper ring. The pressure is transmitted from the upper ring to the lower ring via a lantern bushing. The elastic rings are compressed and expand radially, increasing pressure on the piston.
- The elastic rings are supported by the wall of the valve body, which surrounds the cylindrical piston surface. This provides an outstanding seal.



- 1) YX-GT upper ring
 - 2) YX-GT lower ring
 - 3) Belleville washer
- Layers of YX-GT rings press radially on the sealing surface of the piston.
 - Belleville washers compensate the pressure and temperature changes. This provides a permanent self-sealing.



The sealing system is unaffected by unexpected materials in the fluid. There is no corrosion on leak-proof surfaces

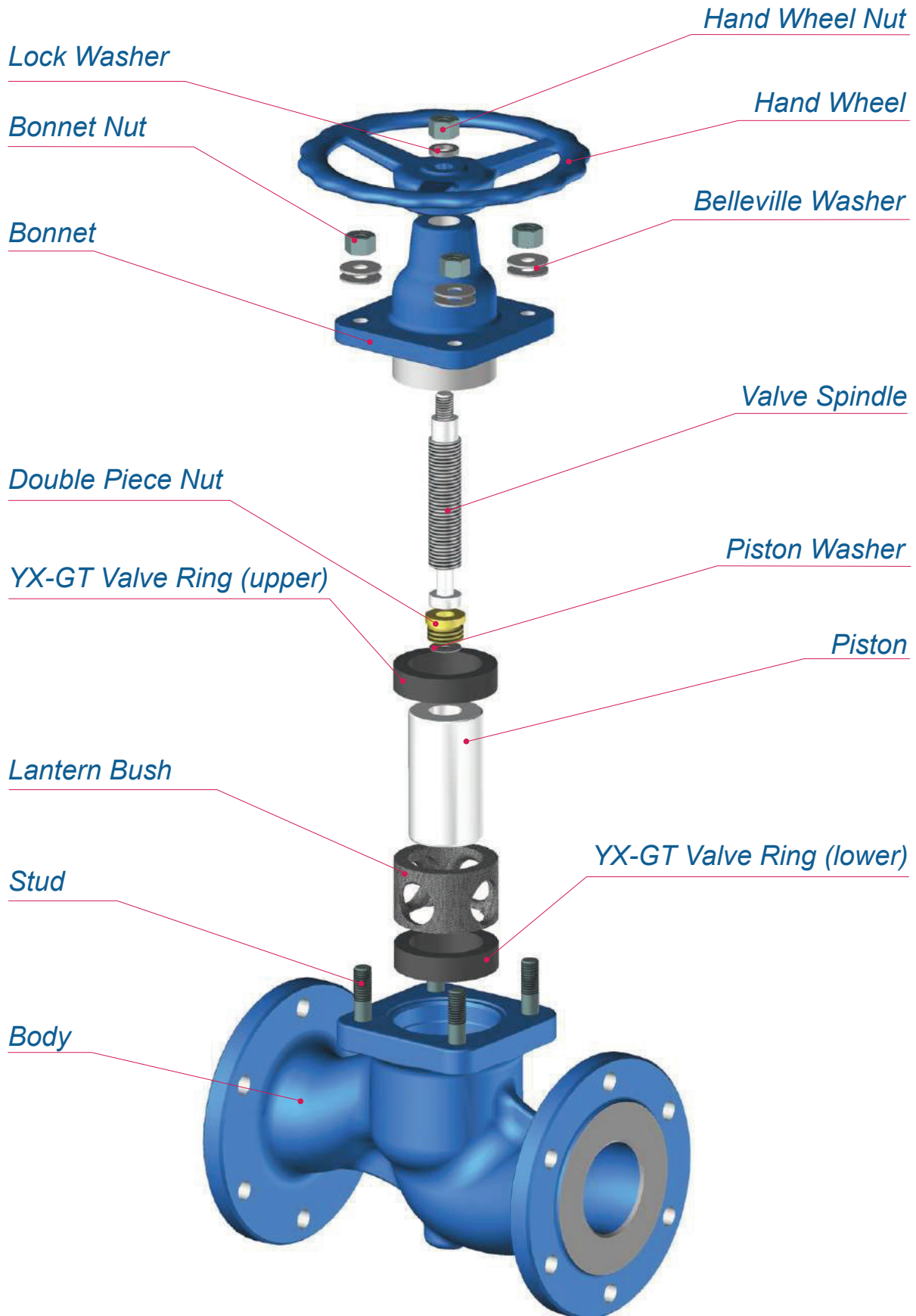
- There is no direct contact between the surface of the piston and the fluid. This eliminates the risk of corrosion risk of the sealing surfaces. Only the bottom of the piston is exposed to the fluid. This part does not influence the sealing performance.
- Unexpected materials in the medium do not harm the piston valve. When the valve is being closed and the piston pushes into the lower ring, it cleans of any particles of sand, welding globules and other impurities present in the fluid. The risk of damage being caused to the sealing system by abrasive matter in the fluid is a well-known problem with valve seats. This risk is eliminated with the piston valves. Fibrous and contaminated media can be reliably shut off without trouble.

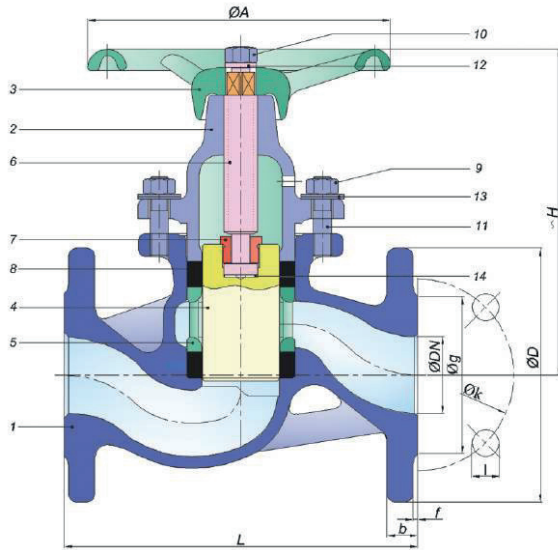
- The type YVN valves (DN15 to DN50) have the same sealing system. There is no stuffing box to complement the rings.
- The type YVNB balanced piston valves (DN65 to DN200) have a stuffing box to complement the ring. Easy operation is enabled thanks to pressure balance across the piston.
- Ring replacement is quick. There is no need for difficult mechanical processes like seat grinding etc. for piston valves. The valve is like new, simply by replacing the sealing rings. Since they are supported by stainless steel plate, the rings have a long service life.



Safe for the environment Saves energy

- Piston valves provide an outstanding leaktightness to both atmosphere and line. They also prevent environmental contamination. Toxic fluids remain in the piping system and can not diffuse into the atmosphere.
- Piston valves save energy by preventing leakage of steam and other power transfer fluids to the atmosphere.





Fluid types

All kinds of fluids, such as: water, hot water, high temperature hot water, steam, thermal oil, LPG, fuel oil, pressurized air, etc.

Material Type	Cast Iron	Ductile Iron	Cast Steel	Stainless Steel
Size	DN15-50	DN15-50	DN15-50	DN15-50
Pressure Class	PN16	PN25	PN40	PN40
Dimensions	DIN EN 558/1.serie	DIN EN 558/1.serie	DIN EN 558/1.serie	DIN EN 558/1.serie
Assembly	Flanged according to DIN EN 1092-2	Flanged according to DIN EN 1092-2	Flanged according to DIN EN 1092-1	Flanged according to DIN EN 1092-1
Temperature	-10°C +300 °C	-10°C +350 °C	-10°C * +400°C	-10°C * +400°C
Order Code	YVN-3	On request	YVN-8	On request

* For temperatures below -10°C, the bolting needs to be in stainless steel

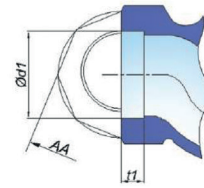
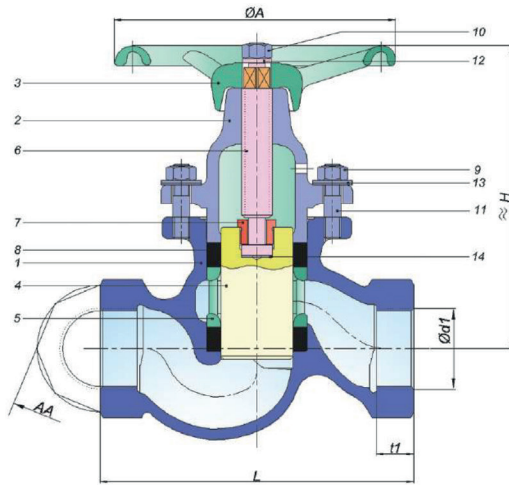
P.No	Part Name	Cast Iron	Ductile Iron	Cast Steel	Stainless Steel	Stainless Steel
1	Body	GJL 250	0.7040	1.0619	1.4308	1.4408
2	Upper Bonnet	GJL 250 **	0.7040 **	1.0619 **	1.4308	1.4408
3	Hand Wheel	GJL 200	GJL 200	GJL 200	GJL 200	GJL 200
4	Piston	1.4021	1.4021	1.4021	1.4301	1.4401
5	Lantern Bush	GJL 200 + Phosphate	GJL 200 + Phosphate	GJL 200 + Phosphate	1.4308***	1.4408***
6	Valve Spindle	1.4021/St-42	1.4021/St-42	1.4021/St-42	1.4301	1.4401
7	Double Piece Nut	Ms-58	Ms-58	Ms-58	1.4301	1.4401
8	Valve Ring	Graphite	Graphite	Graphite	Graphite	Graphite
9	Nut	8.8 (galvanized)	8.8 (galvanized)	8.8 (galvanized)	A2-70	A2-70
10	Nut	8.8 (galvanized)	8.8 (galvanized)	8.8 (galvanized)	A2-70	A2-70
11	Stud	8.8 (galvanized)	8.8 (galvanized)	8.8 (galvanized)	A2-70	A2-70
12	Lock Washer	8.8 (galvanized)	8.8 (galvanized)	8.8 (galvanized)	A2-70	A2-70
13	Belleville Washer	50CrV4	50CrV4	50CrV4	A2-70	A2-70
14	Piston Washer	Ms-58	Ms-58	Ms-58	1.4301	1.4301

** 1.440 for DN15 and DN20

*** Ck22 for DN15 and DN20

DN		Dimensions			Assembly size												
mm	inch	L	H	A	D	g	Hole Nr.	k	PN16			PN25			PN40		
									b	f	l	b	f	l	b	f	l
15	1/2"	130	105	100	95	45	4	65	14	2	14	16	2	14	16	2	14
20	3/4"	150	120	120	105	58	4	75	16	2	14	18	2	14	18	2	14
25	1"	160	138	140	115	68	4	85	16	2	14	18	3	14	18	2	14
32	1 1/4"	180	154	160	140	78	4	100	18	2	19	18	3	19	18	2	18
40	1 1/2"	200	186	180	150	88	4	110	18	3	19	18	3	19	18	2	18
50	2"	230	211	200	165	102	4	125	20	3	19	20	3	19	20	2	18

Subject to changes



Fluid types

All kinds of fluids, such as: water, hot water, high temperature hot water, steam, thermal oil, LPG, fuel oil, pressurized air, etc.

Material Type	Cast Iron	Cast Steel	Stainless Steel
Size	DN1/4"-2"	DN1/4"-2"	DN1/4"-2"
Pressure Class	PN16	PN40 DN 11/4"-2" / PN63 DN 1/4"-1"	PN40 DN 11/4"-2" / PN63 DN 1/4"-1"
Dimensions	DIN EN 3202-4/M9 (Except DN 1/4")	DIN EN 3202-4/M9 (Except DN 1/4")	DIN EN 3202-4/M9 (Except DN 1/4")
Assembly	Threaded according to DIN EN ISO 228-1	Threaded according to DIN EN ISO 228-1	Threaded according to DIN EN ISO 228-1
Temperature	-10°C +300 °C	-10°C ** +400 °C	-10°C ** +400 °C
Order Code	YVMN-3	YVMN-8	On request

* For temperatures below -10°C, the bolting needs to be in stainless steel

** NPT threaded version according to ANSI 2.1 1950 available on demand

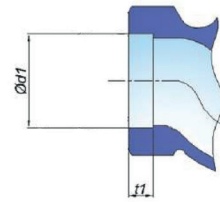
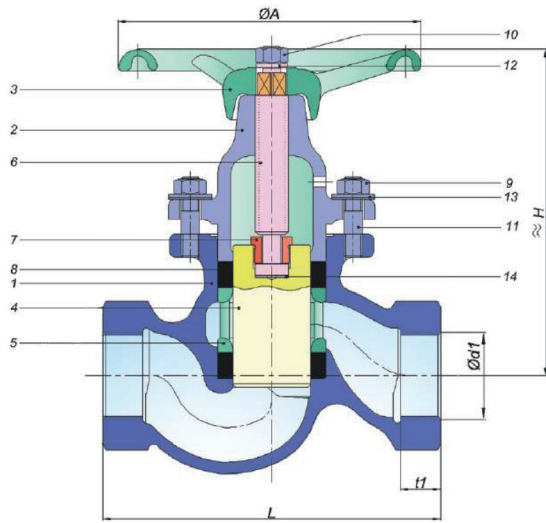
P.No	Part Name	Cast Iron	Cast Steel	Stainless Steel	Stainless Steel
1	Body	GJL 250	1.0619	1.4308	1.4408
2	Upper Bonnet	GJL 250 ***	1.0619 ***	1.4308	1.4408
3	Hand Wheel	GJL 200	GJL 200	GJL 200	GJL 200
4	Piston	1.4021	1.4021	1.4301	1.4401
5	Lantern Bush	GJL 200 + Phosphate	GJL 200 + Phosphate	1.4308****	1.4408****
6	Valve Spindle	1.4021/St-42	1.4021/St-42	1.4301	1.4401
7	Double Piece Nut	Ms-58	Ms-58	1.4301	1.4401
8	Valve Ring	Graphite	Graphite	Graphite	Graphite
9	Nut	8.8 (galvanized)	8.8 (galvanized)	A2-70	A2-70
10	Nut	8.8 (galvanized)	8.8 (galvanized)	A2-70	A2-70
11	Stud	8.8 (galvanized)	8.8 (galvanized)	A2-70	A2-70
12	Lock Washer	8.8 (galvanized)	8.8 (galvanized)	A2-70	A2-70
13	Belleville Washer	50CrV4	50CrV4	A2-70	A2-70
14	Piston Washer	Ms-58	Ms-58	1.4301	1.4301

*** 1.440 for DN15 and DN20

**** Ck22 for DN15 and DN20

DN		Dimensions			Assembly		
mm	inch	L	H	A	d1	t1	AA
6	1/4"	85	105	100	R 1/4"	10.5	32
10	3/8"	85	105	100	R 3/8"	12.5	32
15	1/2"	100	105	100	R 1/2"	15.5	36
20	3/4"	120	120	120	R 3/4"	16	41
25	1"	135	138	140	R 1"	19	50
32	1 1/4"	160	154	160	R 1 1/4"	21	65
40	1 1/2"	185	186	180	R 1 1/2"	21	75
50	2"	220	211	200	R 2"	26	90

Subject to changes



Fluid types

All kinds of fluids, such as: water, hot water, high temperature hot water, steam, thermal oil, LPG, fuel oil, pressurized air, etc.

Material Type	Cast Steel	Stainless Steel
Size	DN1/4"-2"	DN1/4"-2"
Pressure Class	PN40 DN 11/4"-2" / PN63 DN 1/4"-1"	PN40 DN 11/4"-2" / PN63 DN 1/4"-1"
Dimensions	DIN EN 3202-4/M9 (Except DN 1/4")	DIN EN 3202-4/M9 (Except DN 1/4")
Assembly	Socketed according to DIN EN 12760*	Socketed according to DIN EN 12760*
Temperature	-10°C ** +400 °C	-10°C ** +400 °C
Order Code	YVSN-8	On request

* For temperatures below -10°C, the bolting needs to be in stainless steel

P.No	Cast Steel	Stainless Steel	Stainless Steel
1	1.0619	1.4308	1.4408
2	1.0619 ***	1.4308	1.4408
3	GJL 200	GJL 200	GJL 200
4	1.4021	1.4301	1.4401
5	GJL 200 + Phosphate	1.4308****	1.4408****
6	1.4021/St-42	1.4301	1.4401
7	Ms-58	1.4301	1.4401
8	Graphite	Graphite	Graphite
9	8.8 (galvanized)	A2-70	A2-70
10	8.8 (galvanized)	A2-70	A2-70
11	8.8 (galvanized)	A2-70	A2-70
12	8.8 (galvanized)	A2-70	A2-70
13	50CrV4	A2-70	A2-70
14	Ms-58	1.4301	1.4301

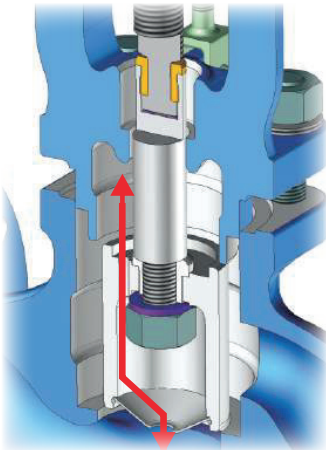
*** 1.440 for DN15 and DN20

**** Ck22 for DN15 and DN20

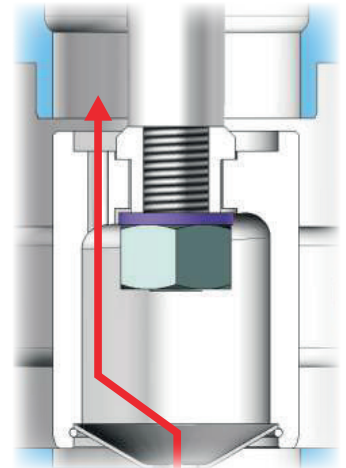
DN	Dimensions			Assembly	
	L	H	A	d1	t1
6	85	105	100	14.2	10
10	85	105	100	17.6	10
15	100	105	100	22	10
20	120	120	120	27.5	13
25	135	138	140	34.5	13
32	160	154	160	43	13
40	185	186	180	49	13
50	220	211	200	61.5	16

Subject to changes

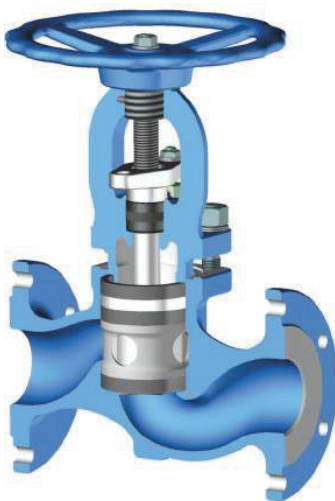
Easy to operate



For balanced piston valves, both top and bottom surfaces of the piston are in contact with fluid. This means that the pressure force is balanced to some extent on the piston. No counter pressure is exerted during release or shut off operation. Only the friction force contributes to release or shut off effort.



Sealing system



1) Spindle sealing

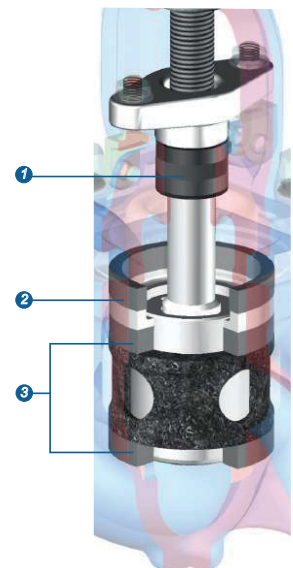
The sealing between spindle and atmosphere is ensured by a stuffing box composed of 3 YX-GT rings.

2) Body Sealing

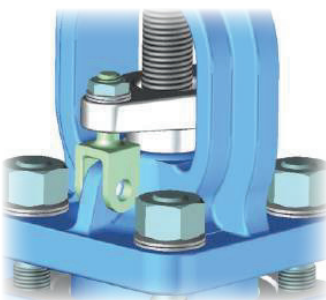
The sealing between body and atmosphere is ensured by 1 YX-GT ring between body and bonnet.

3) Inner sealing

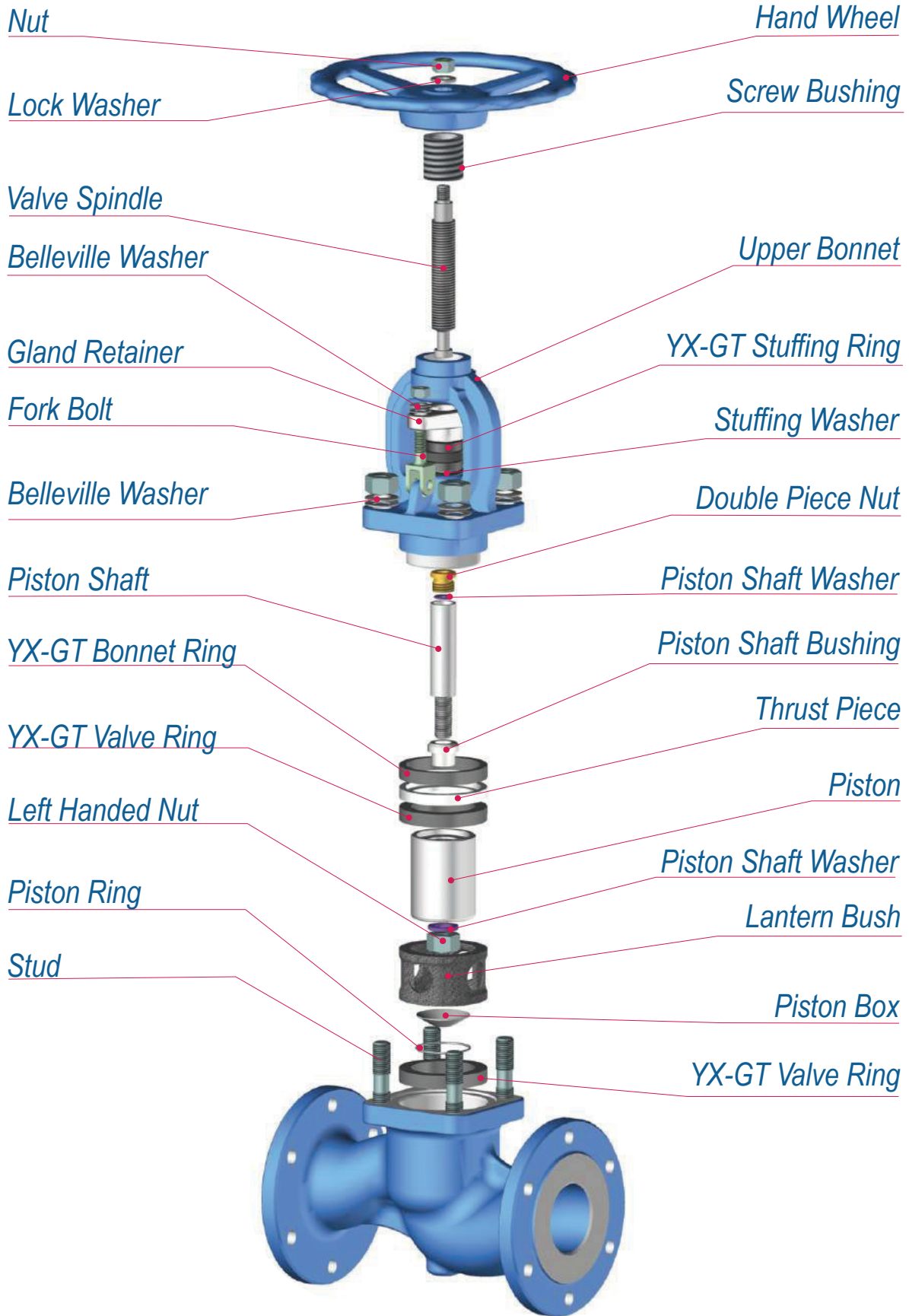
The inner sealing is ensured by 2 specially manufactured elastic YX-GT rings surrounding the piston.

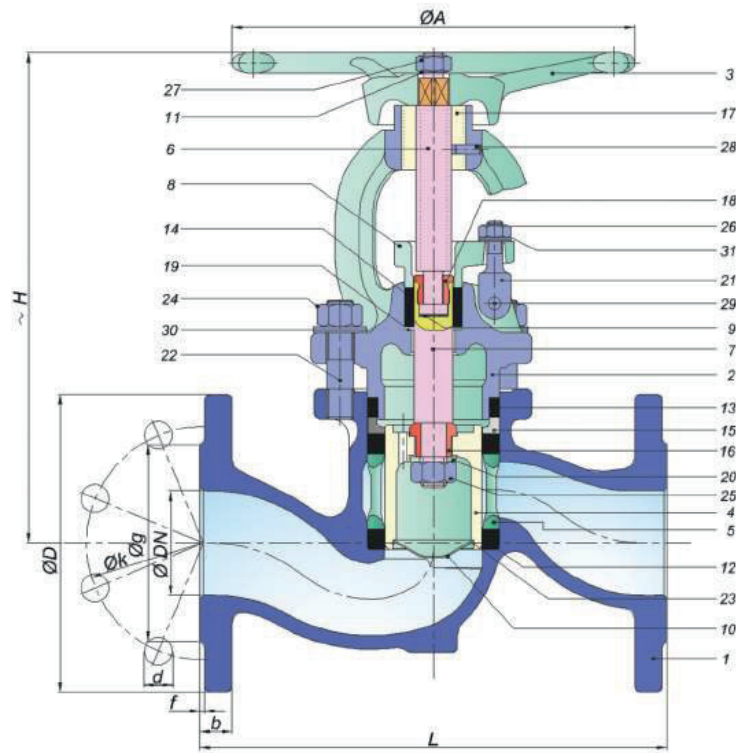


Maintenance free



High temperature resistant Belleville washers (located on the bonnet and under the stuffing box nuts) create a constant pressure on the rings. This compensates pressure and temperature variations and avoids loosening due to abrasion. An outstanding maintenance free sealing is achieved for a long service life.





Material Type	Cast Iron	Ductile Iron	Cast Steel	Stainless Steel
Size	DN65-200	DN65-200	DN65-200	DN65-200
Pressure Class	PN16	PN25	PN40	PN40
Dimensions	DIN EN 558/1.serie	DIN EN 558/1.serie	DIN EN 558/1.serie	DIN EN 558/1.serie
Assembly	Flanged DIN EN 1092-2	Flanged DIN EN 1092-2	Flanged DIN EN 1092-1	Flanged DIN EN 1092-1
Temperature	-10°C +300 °C	-10°C +350 °C	-10°C* +400°C	-10°C* +400°C
Order Code	YVNB-3	On request	YVNB-8	On request

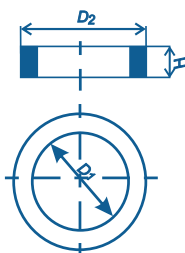
* For temperatures below -10°C, the bolting needs to be in stainless steel

DN		Dimensions			Assembly size																				
mm	inch	L	H	A	PN16						PN25						PN40								
					D	b	g	Hole Nr.	d	k	f	D	b	g	Hole Nr.	d	k	f	D	b	g	Hole Nr.	d	k	f
65	2 1/2"	290	306	250	185	20	122	4	19	145	3	185	20	118	8	19	145	3	185	22	122	8	18	145	2
80	3"	310	327	250	200	22	138	8	19	160	3	200	22	132	8	19	160	3	200	24	138	8	18	160	2
100	4"	350	374	280	220	24	158	8	19	180	3	235	24	156	8	23	190	3	235	24	162	8	22	190	2
125	5"	400	447	320	250	26	188	8	19	210	3	270	26	184	8	28	220	3	270	26	188	8	26	220	2
150	6"	480	477	360	285	26	212	8	23	240	3	300	26	211	8	28	250	3	300	28	218	8	26	250	2
200	8"	600	561	400	340	30	268	12	23	295	3	360	30	274	12	28	310	3	375	34	285	12	30	320	2

Subject to changes

Materials

P.No	Part Name	Cast Iron	Ductile Iron	Cast Steel	St. Steel	St. Steel
1	Body	GJL 250	0.7040	1.0619	1.4308	1.4408
2	Upper Bonnet	GJL 250	0.7040	1.0619	1.4308	1.4408
3	Hand Wheel	GJL 250	GJL 250	GJL 250	GJL 250	GJL 250
4	Piston	1.4086	1.4086	1.4086	1.4308	1.4408
5	Lantern Bush	GJL200 + Phosphate	GJL200 + Phosphate	GJL200 + Phosphate	1.4308	1.4408
6	Valve Spindle	St-42	St-42	St-42	1.4301	1.4401
7	Piston Shaft	1.4021	1.4021	1.4021	1.4301	1.4401
8	Gland Retainer	0.7040	0.7040	0.7040	1.4308	1.4408
9	Piston Shaft Washer	1.4301	1.4301	1.4301	1.4301	1.4301
10	Piston Box	1.4301	1.4301	1.4301	1.4301	1.4401
11	Lock Washer	55Si7	55Si7	55Si7	A2-70	A2-70
12	Valve Ring	Graphite	Graphite	Graphite	Graphite	Graphite
13	Bonnet Ring	Graphite	Graphite	Graphite	Graphite	Graphite
14	Stuffing Ring	Graphite	Graphite	Graphite	Graphite	Graphite
15	Thrust Piece	GJL200 + Phosphate	GJL200 + Phosphate	GJL200 + Phosphate	1.4308	1.4408
16	Piston Shaft Bushing	1.4021	1.4021	1.4021	1.4301	1.4401
17	Screw Bushing	Ms-58	Ms-58	Ms-58	Ms-58	Ms-58
18	Double Piece Nut	Ms-58	Ms-58	Ms-58	1.4301	1.4301
19	Stuffing Washer	St-37+Gal.	St-37+Gal.	St-37+Gal.	1.4301	1.4401
20	Piston Washer	Ms-58	Ms-58	Ms-58	1.4301	1.4401
21	Fork Bolt	St-42	St-42	St-42	1.4301	1.4401
22	Stud	8.8+Gal.	8.8+Gal.	8.8+Gal.	A2-70	A2-70
23	Piston Ring	1.4301	1.4301	1.4301	1.4301	1.4301
24	Nut	8.8+Gal.	8.8+Gal.	8.8+Gal.	A2-70	A2-70
25	Left Hand Nut	A2-70	A2-70	A2-70	A2-70	A2-70
26	Nut M10	8.8+Gal.	8.8+Gal.	8.8+Gal.	A2-70	A2-70
27	Nut	8.8+Gal.	8.8+Gal.	8.8+Gal.	A2-70	A2-70
28	Pin 6x15	St-42+Gal.	St-42+Gal.	St-42+Gal.	A2-70	A2-70
29	Sloted pin 8x22	8.8	8.8	8.8	1.4301	1.4301
30	Belleville Washer	50CrV4	50CrV4	50CrV4	A2-70	A2-70
31	Belleville Washer (20/10.2x11)	50CrV4	50CrV4	50CrV4	A2-70	A2-70



Dimensions piston valve ring

Model	Used Areas	D2 (Outer Diameter)	D1 (Inner Diameter)	H (Height)
YVN YX-GT 15 YVMN / YVSN 1/2"	Sealing Ring (2 pcs.)	23.5	15	8
YVN YX-GT 20 YVMN / YVSN 3/4"	Sealing Ring (2 pcs.)	30	20	9.3
YVN YX-GT 25 YVMN / YVSN 1"	Sealing Ring (2 pcs.)	38	25	10.6
YVN YX-GT 32 YVMN / YVSN 1 1/4"	Sealing Ring (2 pcs.)	45	30	14.6
YVN YX-GT 40 YVMN / YVSN 1 1/2"	Sealing Ring (2 pcs.)	58	40	14,6
YVN YX-GT 50 YVMN / YVSN 2"	Sealing Ring (2 pcs.)	70	50	16

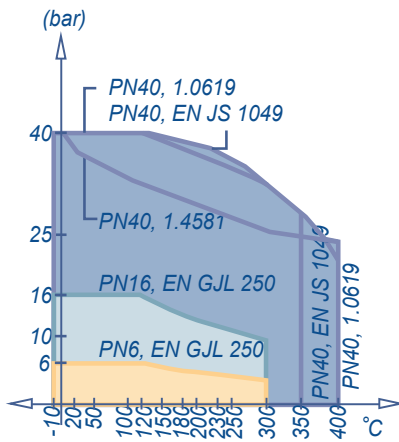
Dimensions balanced piston valve ring

Model	Used Areas	D2 (Outer Diameter)	D1 (Inner Diameter)	H (Height)
YVNB YX-GT 65	Bonnet Ring (1 pc.)	82	69	10
	Sealing Ring (2 pcs.)	82	60	13,3
	Stuffing Box Ring (3 pcs.)	36	24	8
YVNB YX-GT 80	Bonnet Ring (1 pc.)	94	80	10
	Sealing Ring (2 pcs.)	94	70	14.6
	Stuffing Box Ring (3 pcs.)	36	24	8
YVNB YX-GT 100	Bonnet Ring (1 pc.)	112	100	11
	Sealing Ring (2 pcs.)	112	90	14.6
	Stuffing Box Ring (3 pcs.)	46	30	10
YVNB YX-GT 125	Bonnet Ring (1 pc.)	135	121	13
	Sealing Ring (2 pcs.)	135	110	16
	Stuffing Box Ring (3 pcs.)	46	30	10
YVNB YX-GT 150	Bonnet Ring (1 pc.)	155	141	13
	Sealing Ring (2 pcs.)	155	130	17,3
	Stuffing Box Ring (3 pcs.)	46	30	10
YVNB YX-GT 200	Bonnet Ring (1 pc.)	200	184	15
	Sealing Ring (2 pcs.)	200	170	18.6
	Stuffing Box Ring (3 pcs.)	46	30	10

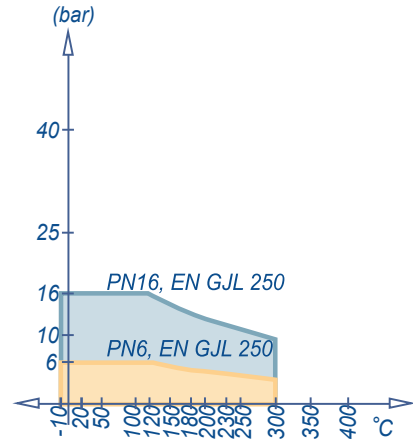
Valve body material and color

Material code	Body	Bonnet	Colour of body
II	cast iron	cast iron	grey
III	ductile iron	ductile iron	green
VII	cast steel	cast steel	blue
Xb	stainless steel	stainless steel	polished, pickled

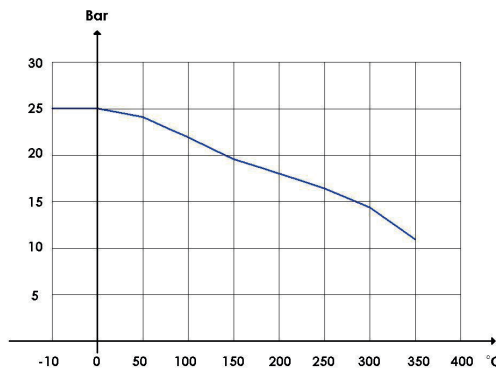
Type YVN (DN15 ~ DN50)



Type YVNB PN16 (DN65 ~ DN200)



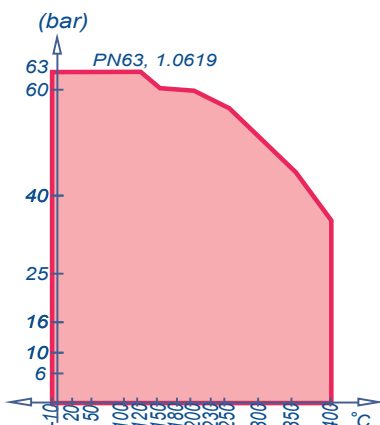
Type YVNB PN25 (DN65 ~ DN200)



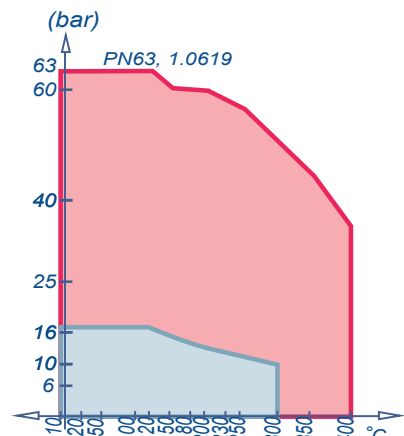
Type YVSN PN40 (DN65 ~ DN200)

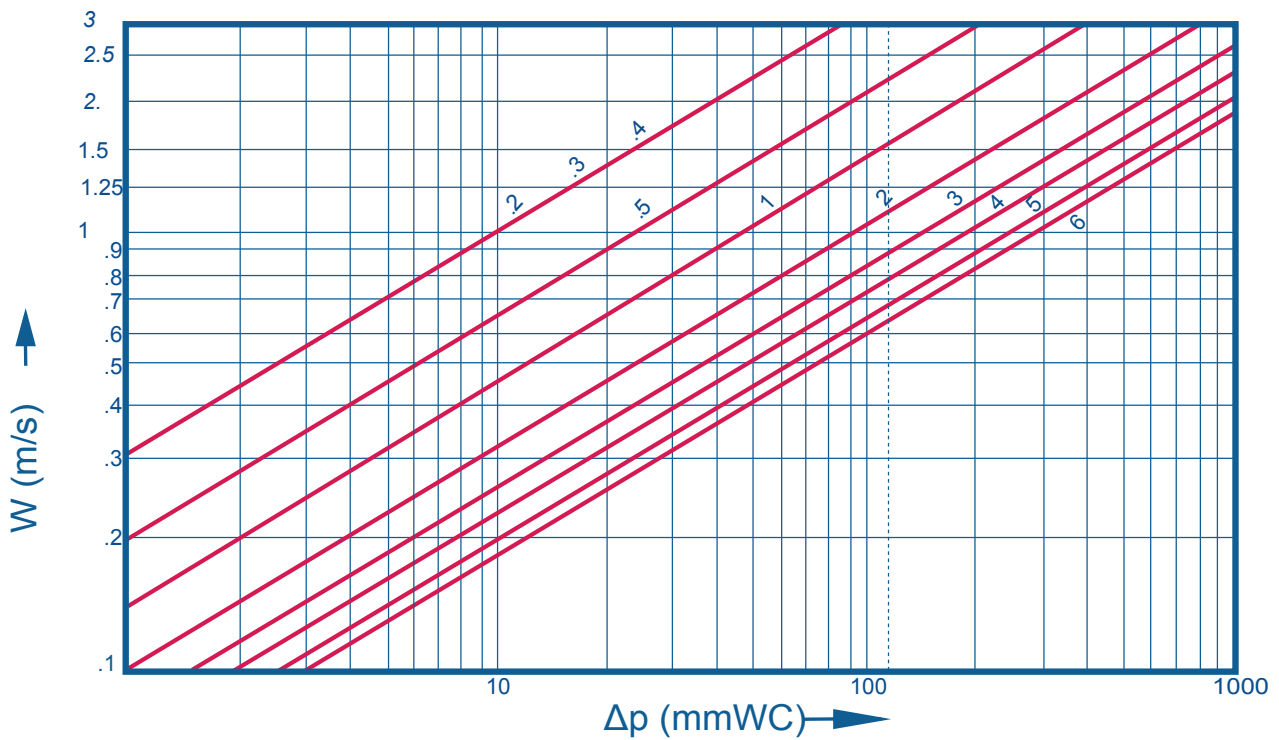


Type YVMN (1/2" ~ 2")



Type YVSN (1/2" ~ 2")



Pressure drop

Kv values

DN	ξ	Kv
15	4	4,5
20	4	8
25	4	12,5
32	4	20,5
40	4	32
50	4	50
65	6	69
80	6	104
100	6	163
125	7,2	233
150	7,2	335
200	7,5	582

In September 2013, our YVN and YVNB series cast steel piston valves have been fire tested according to API 6FA:2008 and ISO 10497:2010 standards, with the guidance of notified body, TÜV SÜD. Our valves have passed these tests with extremely good results and have been approved as "fire safe" valves.

СЕРТИФИКАТ ♦ CERTIFICADO ♦ CERTIFICAT



CERTIFICATE / SERTİFİKA Industrie Service

Fire test on PN 40 (30 #) and DN 50 (2") PISTON Valve
PN 40 (300 #), DN 50 (2") PİSTONLU Vana Yangın Testi

User* Kullanıcı*	: General / Genel
Project No.* Proje No*	: 13-B-00286/01
Manufacturer İmalatçı	: YAKACIK VALF SAN. ve TIC. A.Ş. Cumhuriyet mah. Abdi İpekçi Cad. No:2 34876 Yakacık / Kartal / İstanbul / TÜRKİYE
Manufact. project no. İmalatçı Proje no.	: OE.21082013-1
Manufacturer year İmalat Yılı	: 2013
Drawings No. Resim No.	: In the related YAKACIK drawing No: YPG.7F.50.00 YAKACIK ilgili Resim No.: YPG.7F.50.00
Max working pres. Max. Çalışma Basıncı	: 40 Bar (PN 40 (300 #))
Related test standart Test Standardı	: API 6FA:2008 and ISO 10497:2010

Valve which has properties PN 40 (300 #) and DN 50 (2") PISTON Valve has been Fire tested According to related standarts API 6FA and ISO 10497 under observation of TÜV SÜD. Inspector in the YAKACIK Factory for general using purpose. After the satisfactory results related Fire Test report of valve has been approved by TÜV Inspector. TÜV SÜD. inspector prepared and approved this certificate Due to Client request.

DN 50 (2") kapsamında, PN 40 (300 #) sınıfında test edilmiş, max. çalışma basıncı 40 Bar olan API 6FA ve ISO 10497 standartlarına göre test edilmiş ve başarılı sonuçlarla onaylanmıştır.



СЕРТИФИКАТ ♦ CERTIFICADO ♦ CERTIFICAT



CERTIFICATE / SERTİFİKA Industrie Service

Fire test on PN 40 (30 #) and DN 100 (4") PISTON Valve
PN 40 (300 #), DN 100 (2") PİSTONLU Vana Yangın Testi

User* Kullanıcı*	: General / Genel
Project No.* Proje No*	: 13-B-00286/02
Manufacturer İmalatçı	: YAKACIK VALF SAN. ve TIC. A.Ş. Cumhuriyet mah. Abdi İpekçi Cad. No:2 34876 Yakacık / Kartal / İstanbul / TÜRKİYE
Manufact. project no. İmalatçı Proje no.	: OE.21082013-2
Manufacturer year İmalat Yılı	: 2013
Drawings No. Resim No.	: In the related YAKACIK drawing No: YPG.7F.81.00 YAKACIK ilgili Resim No.: YPG.7F.81.00
Max working pres. Max. Çalışma Basıncı	: 40 Bar (PN 40 (300 #))
Related test standart Test Standardı	: API 6FA:2008 and ISO 10497:2010

Valve which has properties PN 40 (300 #) and DN 100 (4") PISTON Valve has been Fire tested According to related standarts API 6FA and ISO 10497 under observation of TÜV SÜD. Inspector in the YAKACIK Factory for general using purpose. After the satisfactory results related Fire Test report of valve has been approved by TÜV Inspector. TÜV SÜD. inspector prepared and approved this certificate Due to Client request.

PN 40 (300 #) sınıfında, DN 100 (4") PİSTONLU Vana sınıfında test edilmiş, max. çalışma basıncı 40 Bar olan API 6FA ve ISO 10497 standartlarına göre test edilmiş ve başarılı sonuçlarla onaylanmıştır.



It is important that you clearly specify the parameters stated in the check list below to choose the suitable valve. If things are unclear or if you have any further questions, please do not hesitate to contact us.

Check list

- 1) Valve Type
- 2) Quantity
- 3) Valve Size
- 4) Max. Operating Pressure
- 5) Max. and Min. Operating Temperatures
- 6) Connection Type (Flanged, Screwed, SW or BW)
- 7) Fluid
(Water, hot water, air, gas, steam, LPG, oil, thermal oil, acid, base, ... + concentration and other specifications)
- 8) Actuation Type
- 9) Application purpose
(Fully open or fully closed, throttling element, ...)
- 10) Special requests (Material, control, etc.)



Available certificates



ISO 9001-2008
Quality management system



AD 2000 - W 0
Manufacturing quality



CE 2354
PED 97/23 EC / III Module H



FIRE SAFE
Ball valves - cast steel



FIRE SAFE
Piston valves - cast steel

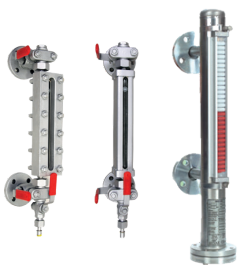


TPED 99 36
Transportable PED



GOST
All products

Also available



Level gauges



Boiler blowdown valves



Ball valves



België - Internationaal

Sodeco Valves Belgium

Morettestraat 5

B-1740 Ternat

T +32 2 583 55 00 - F +32 2 583 55 29

sodeco@sodeco.be

Duitsland

Sodeco Armaturen GmbH

Tel.-Nr.: +49 21 195 98 76 10

T 0800 018 15 61 - F 0800 018 15 62

sodeco@sodeco-armaturen.de

Frankrijk

Sodeco France

T +33 2 35 59 71 00 - F +33 2 35 59 83 23

france@sodeco-valves.com

Nederland

Sodeco Valves BV

T +31 229 247 585 - F +31 229 247 582

nederland@sodeco-valves.com

Zwitserland

Sodeco - Inoxline AG

T +41 61 481 51 00 - F +31 229 247 582

inoxline@sodeco-inoxline.com

www.sodeco-valves.com